



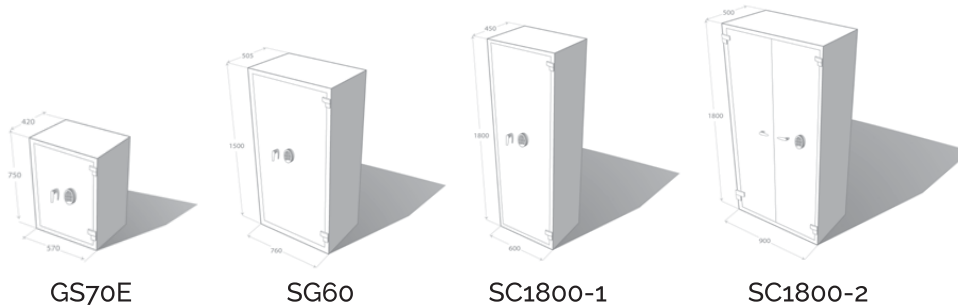
Retail and Commercial Security Storage Safes

Perfect for supermarkets, service stations, phone shops, schools, electoral offices, pubs and clubs and more...



SECURITY FEATURES:

- ✓ Multi point locking bars
- ✓ Heavy duty steel construction
- ✓ 6mm door, 5mm body
- ✓ High quality UL listed digital keypad and locks
- ✓ Anti-tamper re-locking devices



GS70E

SG60

SC1800-1

SC1800-2

Model	EXTERNAL (MM)			INTERNAL (MM)			Weight (kg)	Shelves (pc)
	H	W	D	H	W	D		
GS70E	750	570	420	740	540	350	99	2
SG60	1500	760	505	1490	750	400	215	3
SC1800-1	1800	600	450	1785	580	365	250	4
SC1800-2	1800	900	500	1785	885	415	316	4

DEPTH MEASUREMENT DOES NOT INCLUDE THE HANDLE, KEYPAD OR HINGES. PLEASE ALLOW 50MM.
 Due to Guardall constantly striving to deliver better products; sizes and colours may vary slightly.

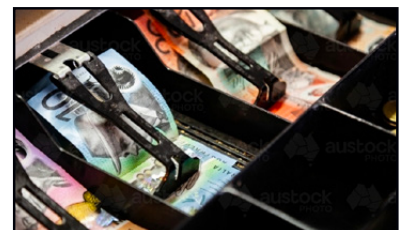
Secure storage for:



Tobacco Products



Phones and Sim Cards



Cash Floats



Exam papers, electoral offices etc

For Expert Advice Call **1800 080 280** Or Visit www.safesandsecuritycabinets.com.au